

## KA-717 Recording Barograph (Mid-sized)

The KA-717 is a high-performance aneroid barograph that uses a bellows to sense barometric pressure.



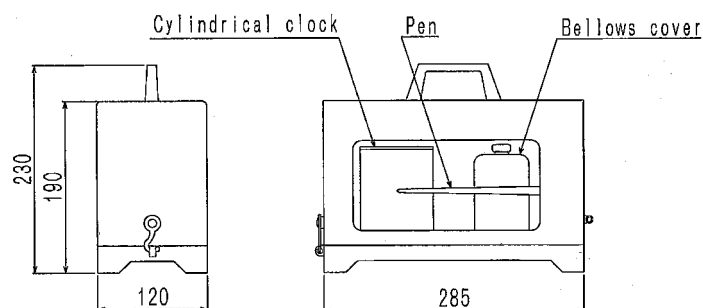
**APPLICATIONS** General weather observation, installation in schools, public facilities, homes, etc.

**FEATURES** Can be used at high elevations and calibrated to sea level pressure; easy to use and maintain

### **SPECIFICATIONS**

<b>Measurement range</b>	940-1045 hPa
<b>Accuracy</b>	±1.3 hPa
<b>Clock type</b>	Battery-powered cylindrical clock (7-day or 1-day)
<b>Clock power source</b>	1.5 V D-cell battery
<b>Standard components</b>	Main unit only
<b>Size/weight</b>	Approx. 285 × 120 × 230 mm, 3.4 kg

### Barograph Dimensions



**KOMATSU FACTORY CO.,LTD.**

WEATHER INSTRUMENTS FABRICATION

1-12-13 Higashiyama Meguro-ku Tokyo 153-0043 Japan

TEL : 03-3719-7131

FAX : 03-3719-7134

e-mail : [info@komatsuins.co.jp](mailto:info@komatsuins.co.jp)