

KA-719 Long-term Recording Barograph

The KA-719 is a long-term recording aneroid barograph. Barometric pressure-caused changes to the shape of bellows sealed in a near-vacuum are enhanced and transmitted to a recording pen.



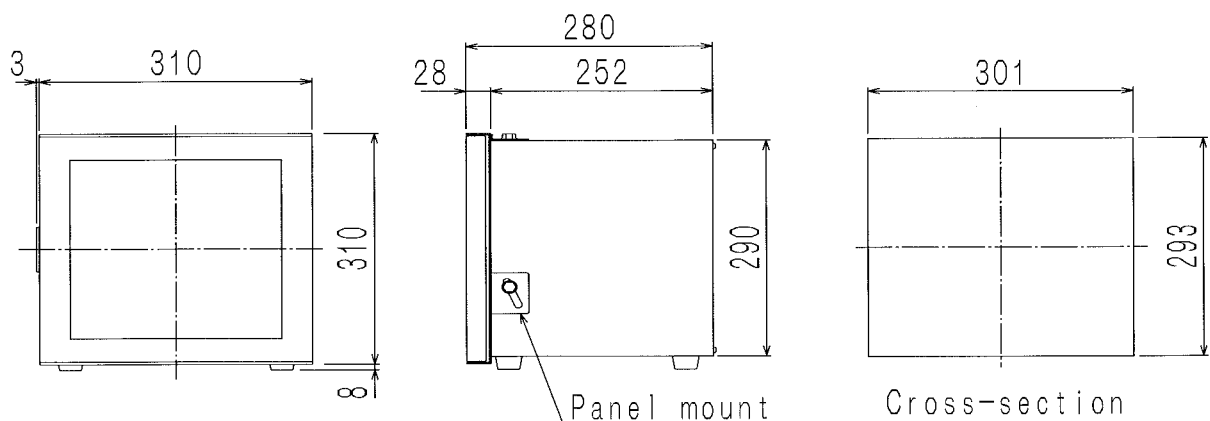
APPLICATIONS General weather observation, installation in public facilities, factories, homes, etc.

FEATURES Long-term recording possible; can be calibrated to sea level pressure; easy to use and maintain

SPECIFICATIONS

Measurement range	940-1045 hPa
Accuracy	± 1.3 hPa
Clock power source	1.5V D-cell battery
Standard components	Main unit only
Size/weight	Approx. 310 × 280 × 310 mm, 12 kg

Long-term Recording Barograph Dimensions



KOMATSU FACTORY CO.,LTD.
WEATHER INSTRUMENTS FABRICATION

1-12-13 Higashiyama Meguro-ku Tokyo 153-0043 Japan
TEL : 03-3719-7131 e-mail : info@komatsuins.co.jp
FAX : 03-3719-7134