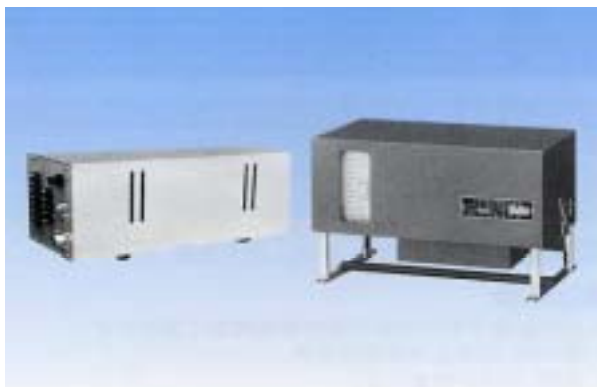


KEA-718 Electronic Barometer

The KEA-718 is an aneroid barometer that converts changes in the shape of the bellows to an electronic signal for transmission to a display or a recording device, thereby allowing for remote measurement.



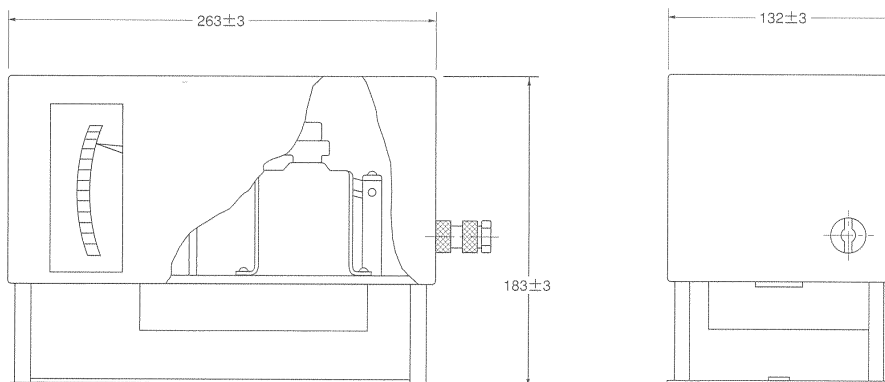
APPLICATIONS General weather observation; installation in public facilities, schools, factories, etc.

FEATURES Remote measurement possible; excellent sensitivity and consistency; small and lightweight

SPECIFICATIONS

Measurement range	940-1040 hPa
Accuracy	± 1.3 hPa
Translator output	10mA & 1V AC (4-20 mA possible)
Power source	100 V AC
Standard components	Sensor, translator only (recording device optional). Note that the translator is a plug-in module that can also be combined with other modules.
Size/weight	Approx. 263 × 132 × 183 mm, 3 kg

Electronic Barometer Dimensions



TOKYO

KOMATSU FACTORY CO.,LTD.

WEATHER INSTRUMENTS FABRICATION

1-12-13 Higashiyama Meguro-ku Tokyo 153-0043 Japan

TEL : 03-3719-7131

FAX : 03-3719-7134

e-mail : info@komatsuims.co.jp