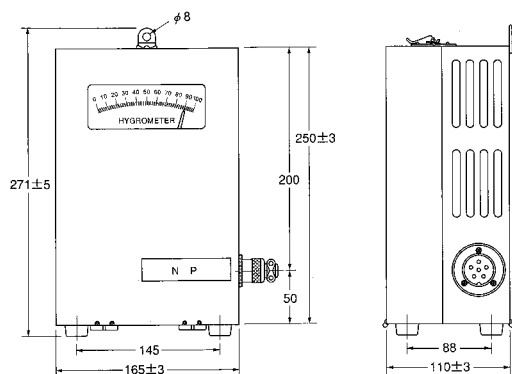


KEH-721 Electronic Hygrometer

With the KEH-721, a human hair sensor detects expansions and contractions caused by changes in relative humidity. These changes are transmitted to a differential transformer and converted to an electric voltage. A translator then adjusts the voltage to a specified level corresponding to the relative humidity to create the KEH-721 output. The KEH-721 can be connected to a recorder, printer, or the like.



Electronic Hygrometer Dimensions



APPLICATIONS

General weather observation, installation in public facilities, schools, factories, etc.

FEATURES

Human hair-type hygrograph sensor for remote sensing; excellent sensitivity; small and lightweight

SPECIFICATIONS

Measurement range	0-100%
Accuracy	±5%
Translator output	10 mV & 1 V AC (4-20 mA possible)
Power source	100 V AC
Standard components	Sensor, translator (translator is optional)

* Note that the translator is a plug-in module that can also be combined with other modules.

Size/weight

Approx. 165 × 111 × 250 mm, 3 kg



KOMATSU FACTORY CO.,LTD.

WEATHER INSTRUMENTS FABRICATION

1-12-13 Higashiyama Meguro-ku Tokyo 153-0043 Japan

TEL : 03-3719-7131

FAX : 03-3719-7134

e-mail : info@komatsuins.co.jp