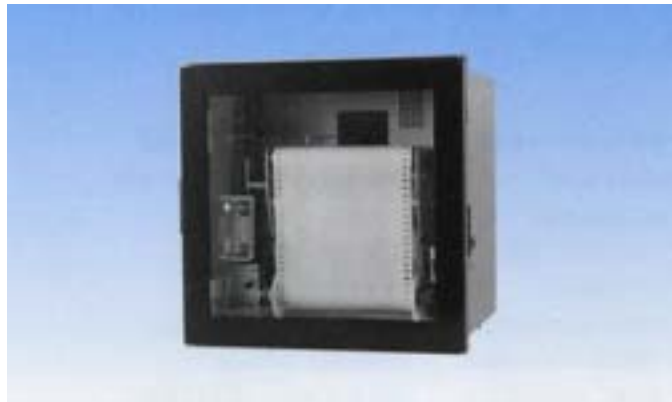


KEM-714 Recording Contact Counter (Long-term Monitoring)

The KEM-714 provides reliable counting and recording of pulses output by a pulse output-type sensor to which it is connected, such as a tipping bucket rain gauge or wind run speed sensor. Each pulse the KEM-714 receives drives an internal pulse motor. Either a 1-month or a 3-month chart can be used with the KEM-714.



APPLICATIONS Connection to sensors that output an electrical contact pulse signal of ≤ 2 pulses/s

FEATURES

1. Accurate operation provided by pulse motor
2. Easy to use and maintain

SPECIFICATIONS

Components Spiral cam to drive an automatically repeating 0-100 pulse count, scroll or folding chart paper

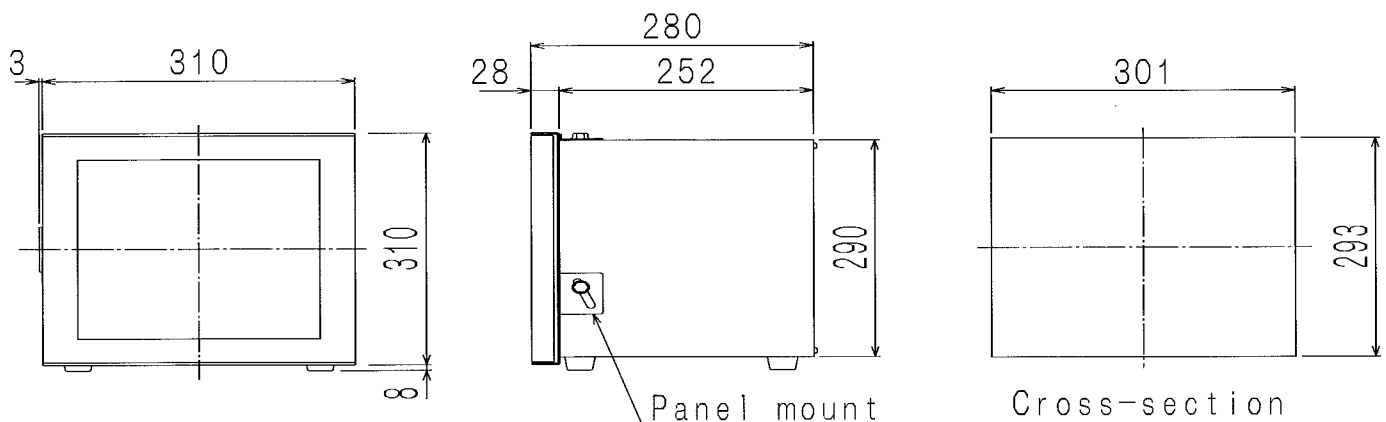
Measurement range 0 to 100 pulse count

Power source 100 V AC or 12 V DC

Standard components Recorder only

Size/weight Approx. 310 × 280 × 310 mm, 16 kg

Recording Contact Counter (Long-term Monitoring) Dimensions



KOMATSU FACTORY CO.,LTD.

WEATHER INSTRUMENTS FABRICATION

1-12-13 Higashiyama Meguro-ku Tokyo 153-0043 Japan

TEL : 03-3719-7131

e-mail : info@komatsuids.co.jp

FAX : 03-3719-7134