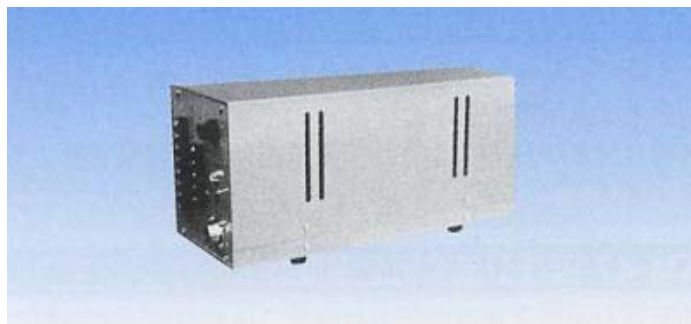
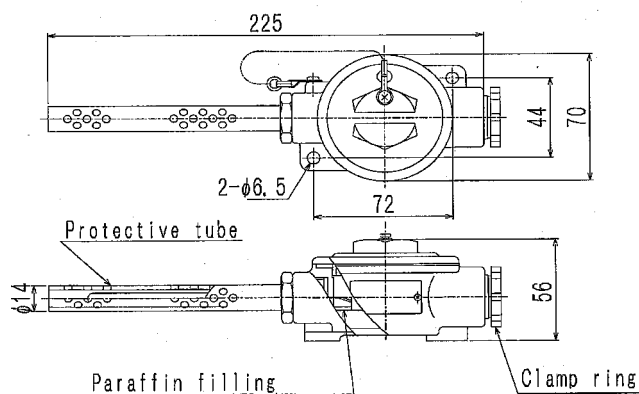


KET-710 Electronic Thermometer

The platinum resistance bulb used in the KET-710 detects changes in resistance that correspond to changes in temperature to detect temperature. The KET-710 is designed for use in remote temperature monitoring, and is most often installed inside an instrument shelter.



Electronic Thermometer Dimensions



APPLICATIONS

General weather observation, use in schools, government facilities, factories, etc.

FEATURES

1. Highly accurate precision sensor
2. Easy to use and maintain
3. Excellent response

SPECIFICATIONS

Measurement range	-20 to 40°C (standard)
Accuracy	JIS0.3 approx. $\pm 0.3^{\circ}\text{C}$, P+100 Ω /0°C 4-wire system
Translator output	10 mV DC & 1 V DC (can also be manufactured for 4-20 mA)
Power source	100 V AC
Standard components	Sensor, translator, optional recorder

* Note that the translator is a plug-in module that can also be combined with other modules.



KOMATSU FACTORY CO.,LTD.

WEATHER INSTRUMENTS FABRICATION

1-12-13 Higashiyama Meguro-ku Tokyo 153-0043 Japan

TEL : 03-3719-7131

FAX : 03-3719-7134

e-mail : info@komatsuins.co.jp