

KH-810 Recording Thermometer/Hygrometer (Long-term Dual Time Period)

The KH-810 provides continuous recording of temperature and humidity data on one chart over a period of either one month or three months. The KH-810 uses a bimetal sensor to detect temperature and a human hair sensor to detect humidity, and is equipped with a separate pen that traces a reference line to correct for paper expansion.



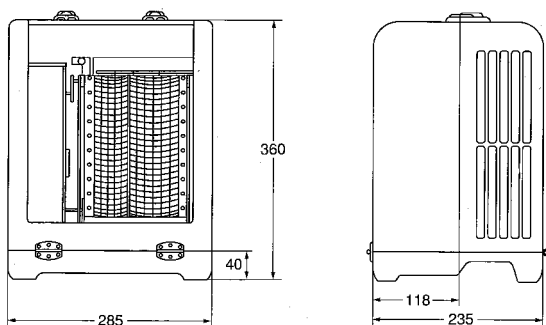
APPLICATIONS

General weather observation, management of air conditioning systems in schools, hospitals, factories, and other facilities, etc.

FEATURES

Simultaneously records temperature and humidity data onto a single chart

Recording Thermometer/Hygrometer



SPECIFICATIONS

Components	Temperature: bimetal sensor Humidity: human hair sensor
Measurement range	Temperature: -20 to 40°C Humidity: 0 to 100%
Accuracy	Temperature: $\pm 1^{\circ}\text{C}$ (min. increment is 1°C) Humidity: $\pm 5\%$ (min. increment is 1%)
Clock	Battery-powered clock
Paper feed speed	10 mm/h (1-month chart) 6 mm/h (3-month chart)
Effective recording width	Temperature: 66 mm Humidity: 80 mm
Size/weight	Approx. 285 × 360 × 235 mm, 11.5 kg
Accessories	Chart paper for one year, recording ink



KOMATSU FACTORY CO.,LTD.

WEATHER INSTRUMENTS FABRICATION

1-12-13 Higashiyama Meguro-ku Tokyo 153-0043 Japan

TEL : 03-3719-7131

e-mail : info@komatsuims.co.jp

FAX : 03-3719-7134