

KPC-5000 Meteorological Data Processor

The KPC-5000 uses a meteorological data digital processing device to process data for a variety of meteorological conditions, including wind speed and direction, temperature, humidity, precipitation, atmospheric pressure, solar radiation, duration of sunshine, and the like. The hourly, daily, or monthly reports thereby generated can be automatically printed on a printer. Up-to-the minute information on changing weather conditions is displayed on a large digital display. Continuous analog recording is also possible simply by connecting the KPC-5000 to an analog recording device.



FEATURES

1. Easy-to-read printout can even print *kanji* characters.
2. Measured elements can be freely added or deleted.
3. Any given input can be temporarily disabled without interfering with other inputs—helpful in event of sensor damage.
4. Includes data-loss prevention measures in case of power outage.
5. Short, adjustable sampling times (0.25 to 6 s)

SPECIFICATIONS

Data processing device

Data processed Wind speed/direction, temperature, humidity, rel. humidity (dew pt.), precipitation, atmospheric pressure, solar radiation, sunshine, etc.

Processing options Hourly, daily, or monthly reports, max., min., mean, cumulative, startup, predominant wind dir., wind dir. frequency, effective humidity

Monitor display Times and processed data on backlit LCD

External output Analog 0-1 V DC

RS-232C, current loop, Centronics

Data collation time 9 or 24 h

Printout times 1, 10, 30, or 60 min, or manually set time

Data loss prevention Two-week data storage in case of power outage

Power source 100 V \pm 10% AC

Size/weight Approx. 480 \times 149 \times 400 mm, 10 kg

Large digital display

Data displayed Wind speed and direction, temperature, humidity, precipitation, atmospheric pressure

Display method Red LED

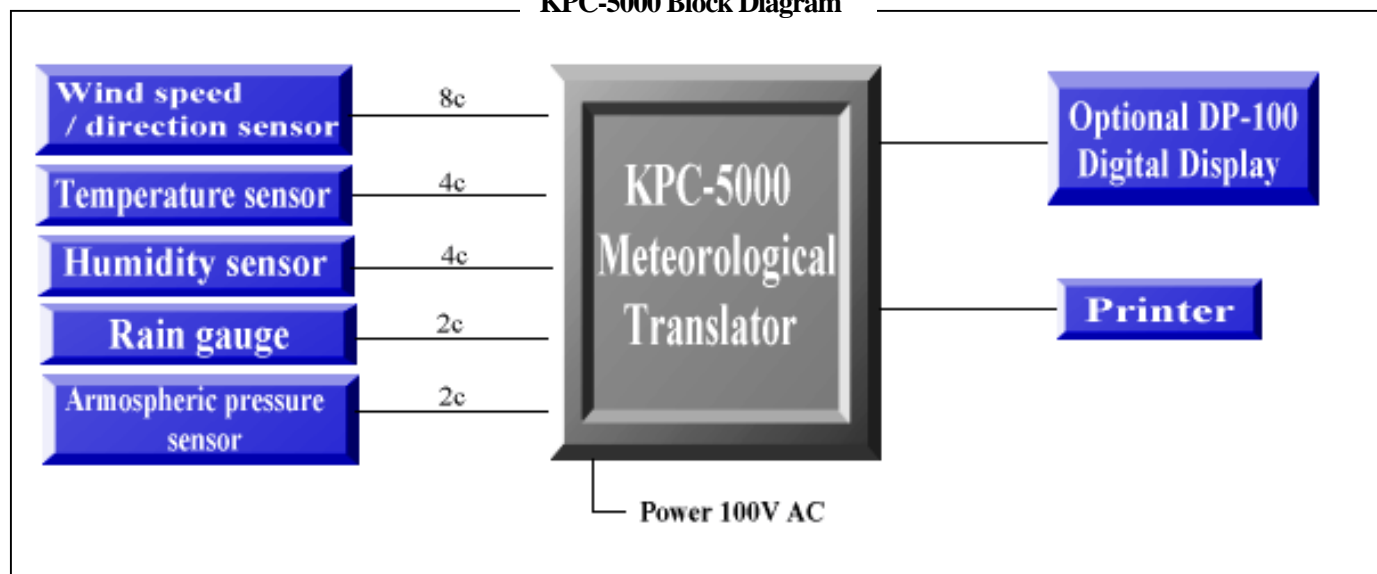
Text size 25 mm

Update interval 6 s

Power source 100 V \pm 10% AC

Size/weight Approx. 480 \times 290 \times 150 mm, 10 kg
Flush-mounted panel type

KPC-5000 Block Diagram



KOMATSU FACTORY CO.,LTD.

WEATHER INSTRUMENTS FABRICATION

1-12-13 Higashiyama Meguro-ku Tokyo 153-0043 Japan

TEL : 03-3719-7131

FAX : 03-3719-7134

e-mail : info@komatsuis.co.jp