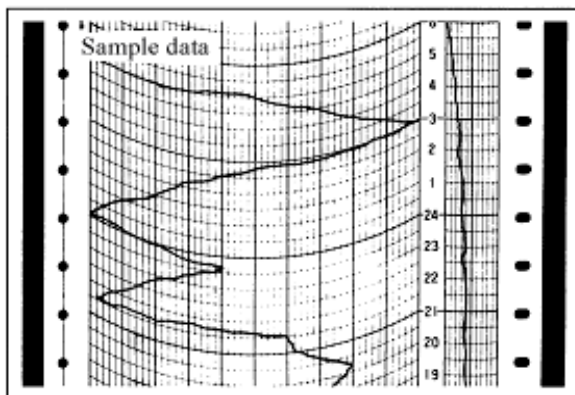
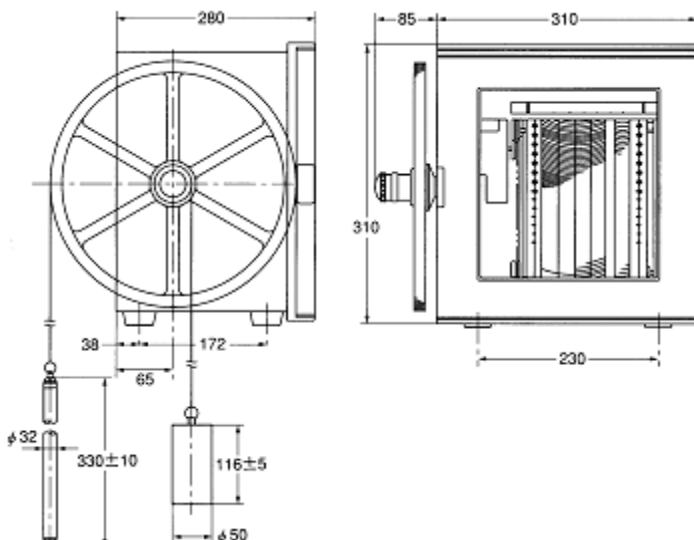


KUW-743 Underground Water Level Gauge (Long-term Chart)

The KUW-743 can be used over an extended period to continuously record underground water levels. The KUW-743 uses a 32 mm diameter float and a counterweight with a range of motion 1/10 that of the float to provide reliable, accurate data.



Water Level Gauge Dimensions



APPLICATIONS

Construction sites, water sluiceways, private industry, etc.

FEATURES

1. Excellent durability; easy to use and maintain
2. Can be used in narrow wells (32 mm diameter float)
3. Separate 0-10 m indicator pen makes for easy-to-read chart

SPECIFICATIONS

Mechanism

Float movement turns a 1 m circumference pulley, thereby driving a heart cam via a cogged wheel to operate the recorder pens.

Measurement range

0-1 m repeatable up to 10 m

Clock power source

One 1.5 V D-cell battery

Standard components

Recorder, pulley, float, counterweight, wire cable

Size/weight

Approx. 310 × 280 × 310 mm, 12 kg (main module only)



KOMATSU FACTORY CO.,LTD.

WEATHER INSTRUMENTS FABRICATION

1-12-13 Higashiyama Meguro-ku Tokyo 153-0043 Japan

TEL : 03-3719-7131

FAX : 03-3719-7134

e-mail : info@komatsuims.co.jp