

KUW-753 Underground Water Level Gauge (8-day Chart)

The KUW-753 uses a 32 mm diameter float designed for use in narrow wells to detect the level of water underground. The recorder can record up to eight days of data.



APPLICATIONS Construction sites, water sluiceways, private industry, etc.

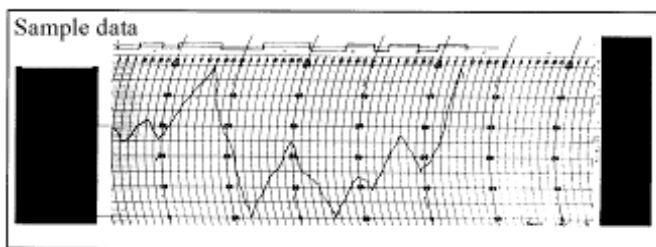
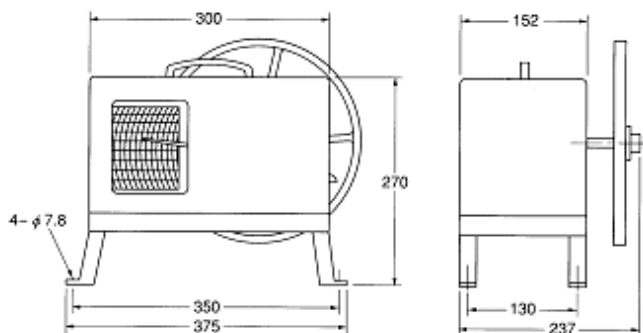
FEATURES

1. Compact and lightweight; ideal for simple water level monitoring
2. Excellent durability; easy to use and maintain
3. Simple to install and move
4. Separate pens to indicate rise and fall make for easy to read chart

SPECIFICATIONS

Mechanism	Float movement turns a 1 m circumference pulley, thereby driving a directly linked heart cam to operate the recorder pens.
Measurement range	0-1 m repeatable up to 10 m
Clock power source	One 1.5 V C-cell battery
Standard components	Recorder, pulley, float, counterweight, wire cable
Size/weight	Approx. 375 × 237 × 270 mm, 6 kg (unit main body only)

Water Level Gauge Dimensions



KOMATSU FACTORY CO.,LTD.

WEATHER INSTRUMENTS FABRICATION

1-12-13 Higashiyama Meguro-ku Tokyo 153-0043 Japan

TEL : 03-3719-7131

FAX : 03-3719-7134

e-mail : info@komatsuims.co.jp