

KW-71-2 Indicating Anemometer with Dual Alarm Function

The KW-71-2 includes a sensor and an indicator unit that displays instantaneous wind speed. The indicator is an optical meter relay, and can be set to sound an initial alarm buzzer when wind speed exceeds user-defined speed H1, and a second alarm buzzer when instantaneous wind speed exceeds user-defined speed H2.

APPLICATIONS Recreational facilities such as ski lifts or cable cars, construction sites, etc.

FEATURES

Two separate user defined alarm speeds can be set on easy-to-read dial indicator in 110 x 110 mm panel.

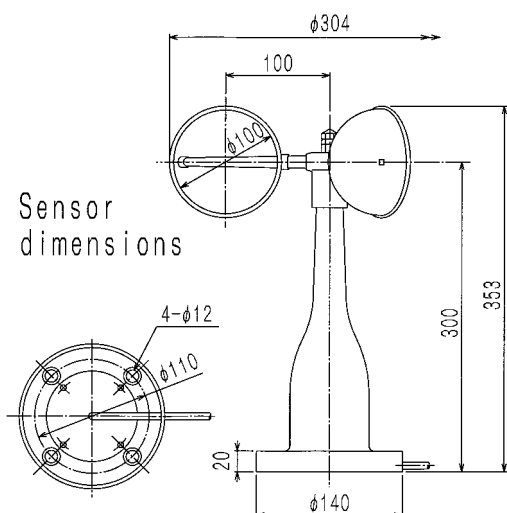
SPECIFICATIONS

Sensor

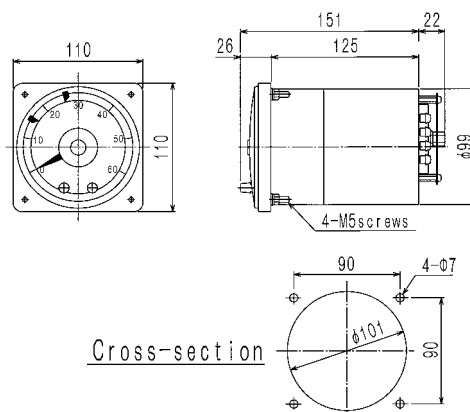
Startup threshold < 2 m/s
Weatherability Winds \geq 90 m/s
Generator AC generator
Output 30 V AC \pm 1 V at 60 m/s

Wind speed indicator w/alarm function

Model Rectifying voltmeter w/display dial in a 110 x 110 mm panel
Alarm buzzer unit LED photo-transistor
Scale 2-60 m/s in 1 m/s increments
Accuracy \pm 0.5 m/s at winds \leq 10 m/s
 \pm 5% at winds $>$ 10 m/s
Alarm setting range Speed H1 0-93% of total dial range
 Speed H2 3-100% of total dial range
Alarm output Connection ON and OFF (no voltage)
Alarm relay 200 V AC 5A (resistance load)
connection capacitance
Power source 100 V AC \pm 10%
Size/weight Sensor: approx. 304 mm diam. x 353 mm, 1 kg
 Indicator: approx. 110 x 110 x 165 mm, 1.0 kg



Alarm-equipped Indicator Dimensions



KOMATSU FACTORY CO.,LTD.

WEATHER INSTRUMENTS FABRICATION

1-12-13 Higashiyama Meguro-ku Tokyo 153-0043 Japan

TEL : 03-3719-7131

FAX : 03-3719-7134

e-mail : info@komatsuins.co.jp