

KWD-77-1 Propeller-type Indicating Wind Vane/Anemometer with Alert Function

The wind speed indicator component of the KWD-77-1 includes an internal wind speed alert function. The user simply turns a knob to place the red indicator needle over the wind speed at which output of an alert signal is desired.



APPLICATIONS

Construction sites, recreational facilities such as golf driving ranges, ski lifts, cable cars, etc.

FEATURES

Allows setting of a user-defined alert signal. A buzzer alerts users to dangerously high-speed winds. Can also be electrically connected to manage other electrical apparatus.

COMPONENTS

1 Propeller-type wind speed/direction sensor (W611)

1 Wind speed/direction indicator

1 Set accessory components

SPECIFICATIONS

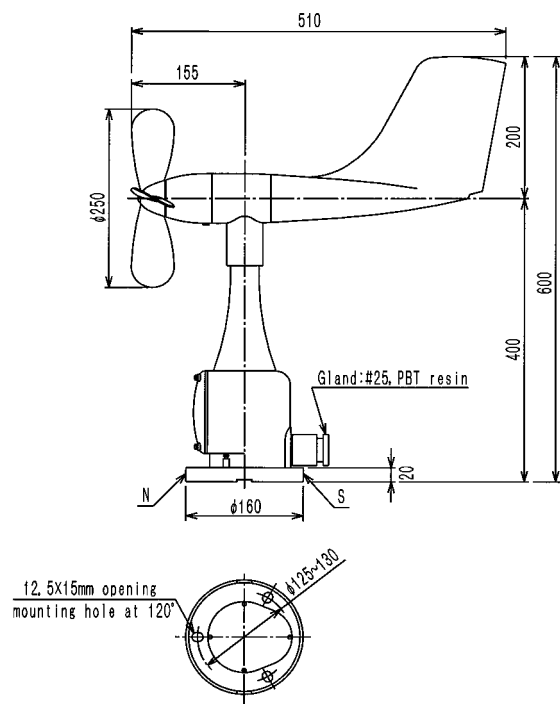
Sensor

Speed component	Propeller-type AC generator (coreless)
Direction component	Synchro motor vane
Startup threshold	<2 m/s
Weatherability	Winds \geq 90 m/s

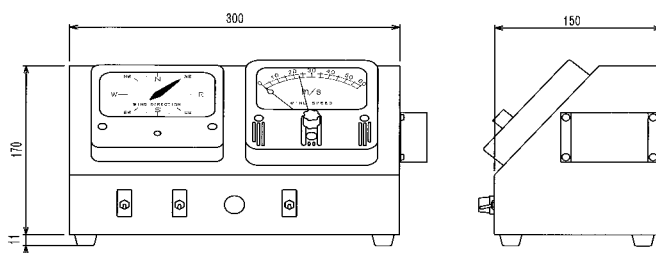
Wind speed/direction indicator (with alert function)

Measurement range	2-60 m/s	1 m/s increments
Accuracy	Speed:	\pm 0.5 m/s at winds \leq 10 m/s \pm 5% at winds >10 m/s
	Direction:	\pm 5°
Alert function range	User-defined over entire measurement range	
Power source	100 V AC \pm 10%, 50/60 Hz	
Size/weight	Sensor	Approx. 510 \times 600 mm Approx. 3.0 kg
	Indicator	Approx. 330 \times 173 \times 187 mm Approx. 3.8 kg

Sensor dimensions



Indicator dimensions



KOMATSU FACTORY CO.,LTD.

WEATHER INSTRUMENTS FABRICATION

1-12-13 Higashiyama Meguro-ku Tokyo 153-0043 Japan

TEL : 03-3719-7131

FAX : 03-3719-7134

e-mail : info@komatsuins.co.jp