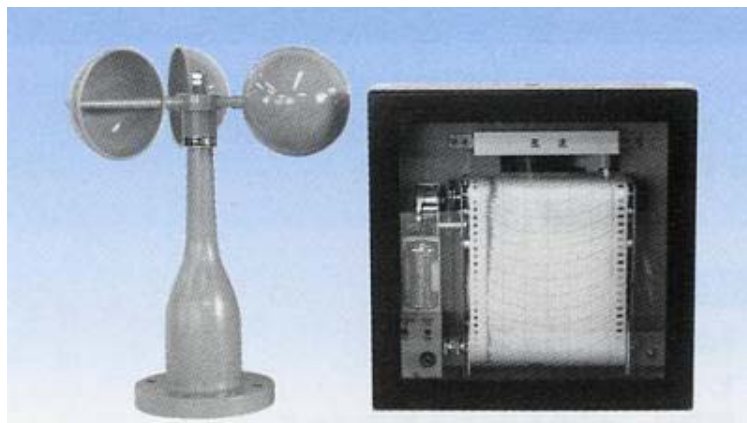


KWR-112 Cup-type Recording Anemometer

The KWR-112 records instantaneous wind speeds using a cup-type wind speed sensor and a recorder unit.



APPLICATIONS

General weather observation, pollutant monitoring, railways, etc.

FEATURES

Easy to use and store, excellent durability

SPECIFICATIONS

Components

Sensor Cup-type 4-pole coreless AC generator

Recorder Servo, arc-writing cartridge pen

Measurement range 2-60 m/s instantaneous speed

Accuracy ±0.5 m/s at winds ≤10 m/s

±5% at winds >10 m/s

Weatherability Winds ≥90 m/s

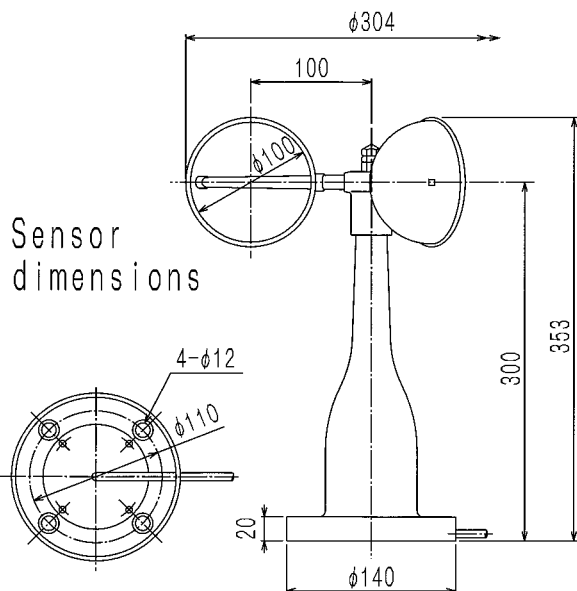
Power 100 V AC

Standard components Sensor, recorder

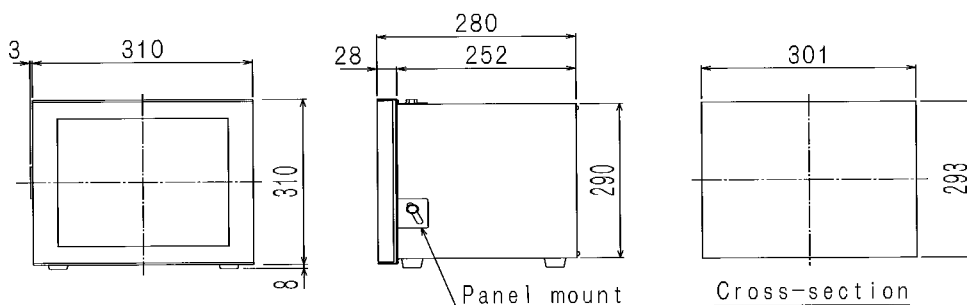
Size/weight Sensor: approx. 304 mm diam. × 353mm, 1.0 kg

Recorder: approx. 310 × 280 × 310 mm, 12 kg

NOTE: For locations with no power source, use KWR-111 cup-type recording anemometer (with siphon-type pen).



Counter dimensions



KOMATSU FACTORY CO.,LTD.

WEATHER INSTRUMENTS FABRICATION

1-12-13 Higashiyama Meguro-ku Tokyo 153-0043 Japan

TEL : 03-3719-7131

FAX : 03-3719-7134

e-mail : info@komatsuims.co.jp