

## KWR-122 Cup-type Recording Anemometer (Two-element)

The KWR-122 uses a cup-type sensor and a wide-panel recorder to detect and continuously record both instantaneous and average wind speed values on a single chart.



### APPLICATIONS

General weather observation, pollutant monitoring, tall structure wind monitoring, agriculture-related weather observation

### FEATURES

1. Both instantaneous and average wind speed values recorded on a single chart
2. Easy to read 100 mm chart width for each data element
3. Excellent weatherability and easy to maintain

### SPECIFICATIONS

#### Components

Sensor: Cup-type 4-pole coreless AC generator

Recorder: Servo, arc-writing cartridge pens

#### Measurement range

Instantaneous speed: 2-60 m/s

Average speed: 2-40 m/s (10-min. average)

#### Accuracy

±0.5 m/s at winds ≤10 m/s

±5% at winds >10 m/s

#### Weatherability

Winds ≥90 m/s

#### Power source

100 V ±10%, 50/60 Hz

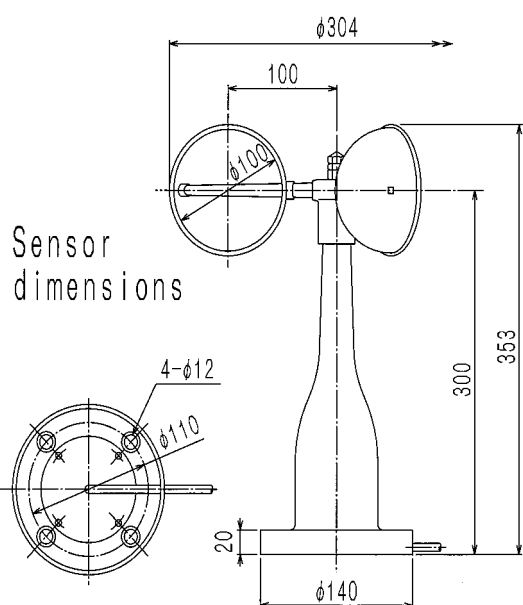
#### Standard components

Sensor, recorder

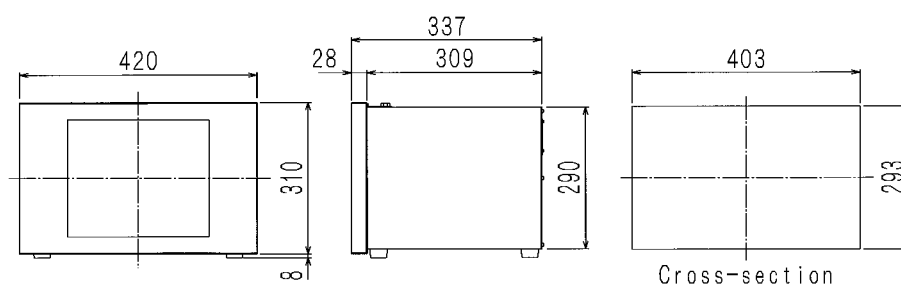
#### Size/weight

Sensor: approx. 304 mm diam. × 353 mm, 1.0 kg

Recorder: approx. 420 × 337 × 310 mm, 20 kg



### Recorder dimensions



KOMATSU FACTORY CO., LTD.

WEATHER INSTRUMENTS FABRICATION

1-12-13 Higashiyama Meguro-ku Tokyo 153-0043 Japan

TEL : 03-3719-7131

FAX : 03-3719-7134

e-mail : info@komatsuins.co.jp