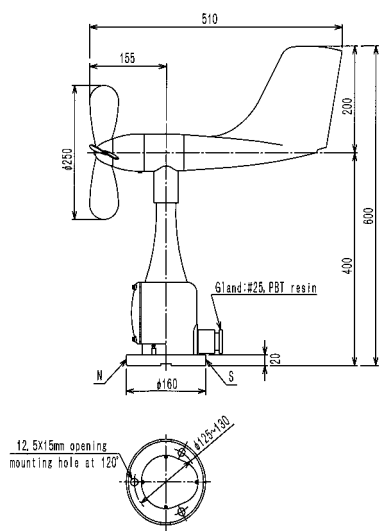


KWR-621 Propeller-type Recording Wind Vane/Anemometer

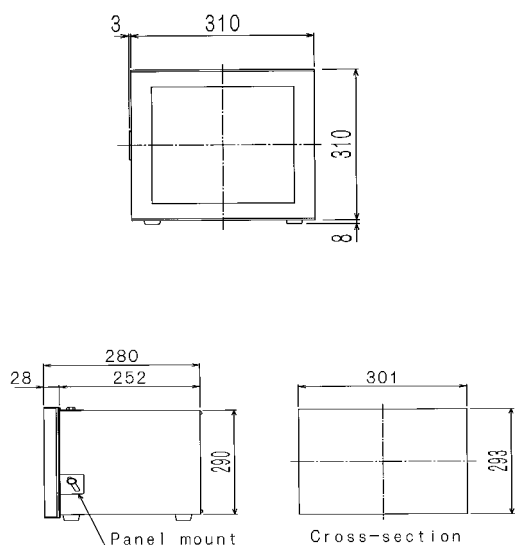
The KWR-621 receives a signal from its wind speed and direction sensor, which is mounted outdoors on a steel pole or the like, and records either instantaneous or average values for wind speed and direction. A simple flip of a switch allows the user to select instantaneous or average values.



Sensor Dimensions



Counter Dimensions



COMPONENTS

- 1 Propeller-type wind speed/direction sensor (W611)
- 1 Recorder (WR5140)
- 1 Set spare/accessory components
- 1 Wind speed/direction indicator (option)

SPECIFICATIONS

Propeller-type wind speed/direction sensor (W611)

Speed component	Propeller-type AC generator
Direction component	Synchro motor vane
Wind run sensor (option)	60 m wind run, electric contact output
Startup threshold	<2 m/s
Weatherability	Winds ≥ 90 m/s
Wind speed output	45 V AC ± 1 V at winds of 60 m/s
Materials	Vane: glass & polyester resin Other components: polycarbonate resin
Paint	Standard 8YR7.3/1.3
Weight	Approx. 3.0 kg

Recorder (WR5140)

Recording method	Arc-writing cartridge pens
Pen drive	Servo
Chart paper	Scroll-type
Recorded range	Speed: 0-60 m/s Direction: 8 cardinal points or 540°
Chart width	Speed: 70 mm Direction: 44 mm
Inst./avg. toggle	Separate switch toggles to select instantaneous or 10-min. average values for each of speed and direction
Accuracy	Spd.: ± 0.5 m/s at winds ≤ 10 m/s, $\pm 5\%$ at winds > 10 m/s Direction: $\pm 5^\circ$
Paper feed speed	15 mm/h
Cont. recording	33 days
Paper feed device	Battery-powered watch (quartz)
Watch battery/life	One 1.5 V battery (D cell), one year
Power source	100 V AC $\pm 10\%$, 50/60 Hz
Power consumption	Approx. 19 VA
Usage conditions	-10 to 50°C, 35 to 85% RH
Paint	Door: Munsell N1.0 Case: Munsell N7
Indicator connection terminals	An indicator can be added after first removing resistance applied to terminals 11 and 12.
Outputs	Speed: 0-1 V DC at winds of 0-60 m/s Direction: 0-1 V DC at 0-540° Instantaneous or average values (set when item ordered)
Weight	Approx. 13 kg



KOMATSU FACTORY CO., LTD.

WEATHER INSTRUMENTS FABRICATION

1-12-13 Higashiyama Meguro-ku Tokyo 153-0043 Japan

TEL : 03-3719-7131

FAX : 03-3719-7134

e-mail : info@komatsuins.co.jp