

KWS-31 Compact Basic Anemometer

With an ultra-compact, heavy duty plastic sensor and compact indicator, the KWS-31 is ideal for use in situations requiring that equipment be small and lightweight yet reliable.



APPLICATIONS

Sailboats, motor boats, general weather observation

FEATURES

Lightweight, easy to use

SPECIFICATIONS

Measurement range 1-30 m/s

Power source Not required

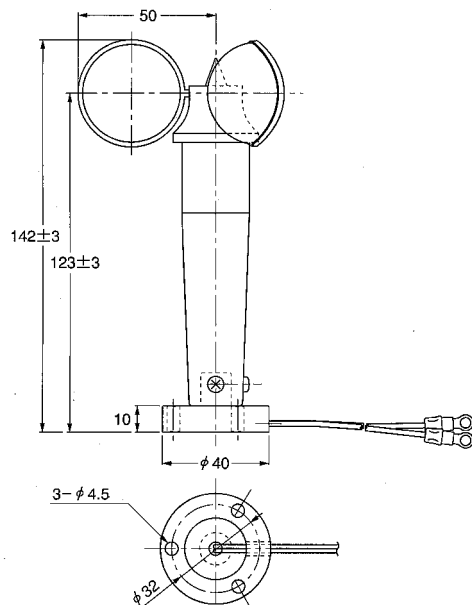
Standard components Sensor, wind speed indicator, connecting cable

Size/weight

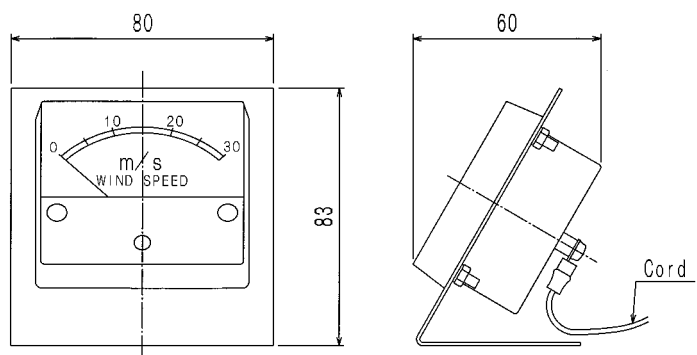
Sensor: Approx. 100 mm diam. × 142 mm, 0.1 kg

Indicator: Approx. 80 × 83 × 60 mm, 0.15 kg

Sensor Dimensions



Indicator Dimensions



KOMATSU FACTORY CO.,LTD.

WEATHER INSTRUMENTS FABRICATION

1-12-13 Higashiyama Meguro-ku Tokyo 153-0043 Japan

TEL : 03-3719-7131

FAX : 03-3719-7134

e-mail : info@komatsuins.co.jp