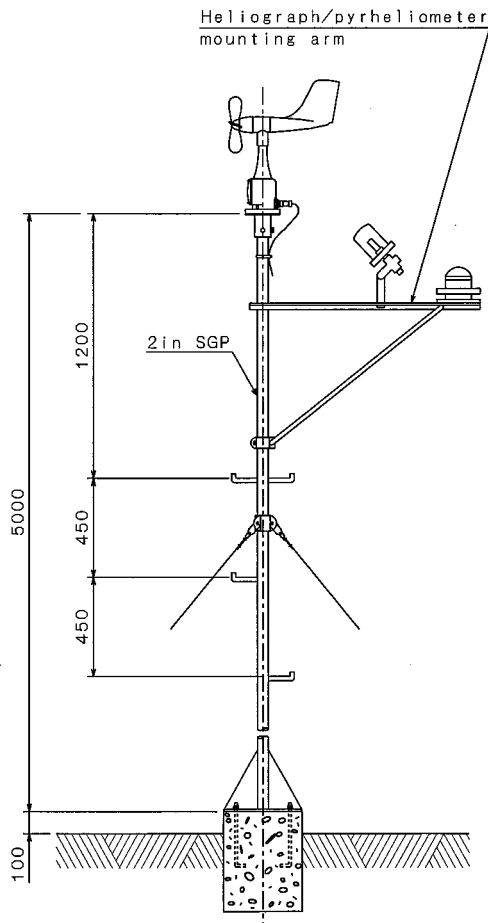


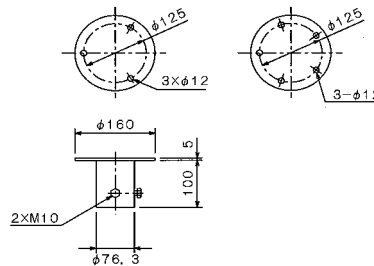
Mounting Poles

Collecting accurate meteorological data can be a challenge because of the distorting effects of buildings or other structures in the location where observation is to take place. These steel mounting poles help prevent data distortion by allowing higher installation of sensors for anemometers, wind vanes, heliographs, pyrheliometers, or other instruments.

Mounting Poles



Wind speed/direction sensor mounting flange
Available with 3 or 5 holes



SPECIFICATIONS

Structure	Directly coupled pipes
Pipe used	2-inch gas pipe
Standard length	5 m (two joined segments)
Coupling method	Anchor bolts, wire stays
Paint	Silver



KOMATSU FACTORY CO.,LTD.

WEATHER INSTRUMENTS FABRICATION

1-12-13 Higashiyama Meguro-ku Tokyo 153-0043 Japan

TEL : 03-3719-7131

FAX : 03-3719-7134

e-mail : info@komatsuins.co.jp