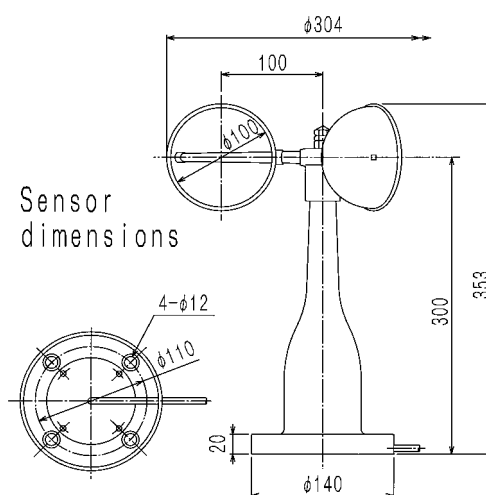


W11-J4, W11-E1 Cup-type Anemometer Sensors (Incl. Output)

The W11-J4 and W11-E1 sensors detect wind with a cup-type assembly and convert the rotation of the cups into an electrical signal output at 4-20 mA or 0-1 V. The lightweight resin cups and body provide excellent durability and reliability.



SPECIFICATIONS

Model	W11-J4	W11-E1
Output (0-60 m/s)	4-20 mA DC	0-1 V DC
Power	24 V DC	12 V DC
Speed sensor component	Cup-type AC generator	
Startup threshold	<2 m/s	
Weatherability	Winds ≥ 90 m/s	
Accuracy	± 0.5 m/s at winds ≤ 10 m/s $\pm 5\%$ at winds > 10 m/s	
Materials	Cups: polycarbonate resin Body: polycarbonate resin	
Size	Approx. 304 mm diam. \times 353 mm	
Weight	Approx. 1.0 kg	



KOMATSU FACTORY CO.,LTD.

WEATHER INSTRUMENTS FABRICATION

1-12-13 Higashiyama Meguro-ku Tokyo 153-0043 Japan

TEL : 03-3719-7131

FAX : 03-3719-7134

e-mail : info@komatsuims.co.jp