

KOMATSU Wind sensor Model W614—Z1(10k)

This model is a propeller-type wind velocity and direction sensor.

The rotations of the wind velocity-sensing Propeller are transmitted to an AC Generator, and an AC voltage proportional to a given wind velocity is output meanwhile, the movement of the wind direction-sensing vane is transmitted to a potentiometer, and a signal is output from each brush therein.

Specifications

Detecting method

Wind direction : Conductive plastic Potentiometer

Wind velocity : AC generator

Measuring Range

Azimuth : 360° mechanical, 355° electrical

velocity : 0~90 m/s

Gust survival : 100 m/s

Threshold : 1.0 m/s

Accuracy

Wind direction : ± 3 degrees

Wind velocity :

Within ± 0.3 m/s at 10m/s or less

$\pm 5\%$ of indicated value at greater than 10m/s

Output signal

Azimuth : Single type 10k Ω potentiometer

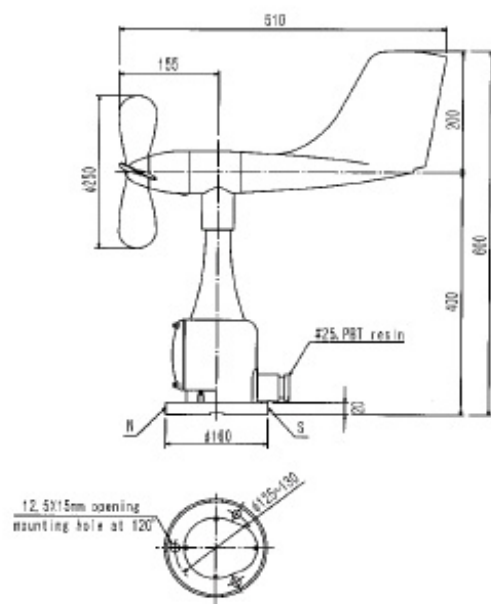
Wind velocity: AC voltage

External dimensions: 600(H) \times 510(D) Windmill 250mm ϕ

Weight: Approx. 3kg



Sensor dimensions



KOMATSU FACTORY CO., LTD.

WEATHER INSTRUMENTS FABRICATION

1-12-13 Higashiyama Meguro-ku Tokyo 153-0043 Japan

TEL : 03-3719-7131

FAX : 03-3719-7134

e-mail : info@komatsuwx.co.jp