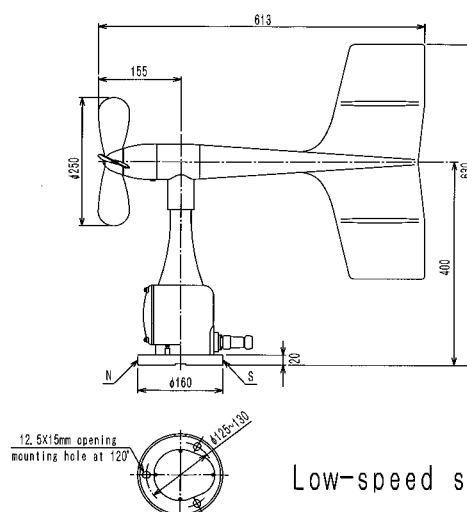


W832/W835 Propeller-type Low-speed Wind Speed/Direction Sensors

The W832 and W835 are high-performance propeller-type wind speed and direction sensors capable of monitoring both mild breezes and strong winds. The use of a resin material for both the propeller and body gives these small, lightweight sensors excellent weatherability.



Sensor dimensions



Low-speed sensor

SPECIFICATIONS

Model	W832	W835
Wind direction sensor	Control synchro	8-bit encoder
Wind direction sensor power	26 V AC	12 V DC
Wind speed sensor	Optical pulse-type propeller	
Startup threshold	<0.4 m/s	
Accuracy	Wind speed:	± 0.3 m/s at winds ≤ 5 m/s $\pm 5\%$ at winds > 5 m/s
	Wind direction:	$\pm 5^\circ$
Materials	Propeller:	polycarbonate resin
	Body:	polycarbonate resin
	Vane:	FRP (glass-fiber reinforced)
Paint	Munsell color 8YR 7.3/1.3	
Size	Approx. 250 mm diam. \times 700 \times 590 mm	
Weight	Approx. 3.0 kg	



KOMATSU FACTORY CO.,LTD.

WEATHER INSTRUMENTS FABRICATION

1-12-13 Higashiyama Meguro-ku Tokyo 153-0043 Japan

TEL : 03-3719-7131

FAX : 03-3719-7134

e-mail : info@komatsuins.co.jp