

W91-1 Industrial-use Anemometer

The W91-1 is specifically designed to withstand the wear and tear of constant strong winds from one direction, such as inside ductwork or similar locations. With the W91-1, an AC voltage closely proportional to wind speed is generated by the turning of the propeller blades and transmitted to a rectifying voltmeter, allowing a user to monitor instantaneous wind speed values and air flow.



APPLICATIONS Air flow monitoring inside ductwork, etc.

FEATURES

Compact, lightweight, easy to install and maintain, adjustable height to optimize placement within ductwork

SPECIFICATIONS

Components

Sensor: Propeller-type 4-pole coreless AC generator

Indicator: Rectifying voltmeter

Measurement range 1-10 m/s (standard)
(Can be made to measure 1-20 m/s or 1-30 m/s)

Accuracy ± 0.5 m/s at winds ≤ 10 m/s
 $\pm 5\%$ at winds > 10 m/s

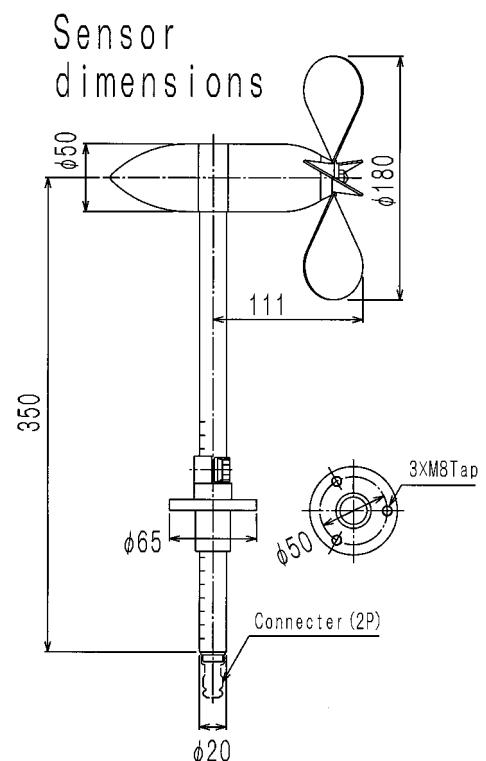
Power source Not required

Standard components Sensor, resistor box, indicator

Size

Sensor: blade diam. 180 mm, body length to order

Indicator: approx. 110 × 110 × 112 mm



KOMATSU FACTORY CO.,LTD.

WEATHER INSTRUMENTS FABRICATION

1-12-13 Higashiyama Meguro-ku Tokyo 153-0043 Japan

TEL : 03-3719-7131

FAX : 03-3719-7134

e-mail : info@komatsuins.co.jp