

W92 Anemometer for Use in Tunnels

The W92 is specifically designed to measure wind speed and direction inside tunnels. It automatically switches to measure wind speed in the direction air is moving, and indicates or records data for that direction.



APPLICATIONS

Monitoring of wind speed and direction inside tunnels

FEATURES

1. Automatically detects wind direction to measure speed from two directions
2. Uses continuous-reading integration method to calculate 10-min. average values
3. Includes a wind direction identifier signal

SPECIFICATIONS

Components

Sensor: Propeller-type DC generator

Measurement range

1-10 m/s in two directions

Transducer output 0-10 mV (10-min. continuous average)

Accuracy

±0.5 m/s

Power source

100 V AC, 50/60 Hz (transducer)

Standard

Sensor, transducer (recorder is optional)

components

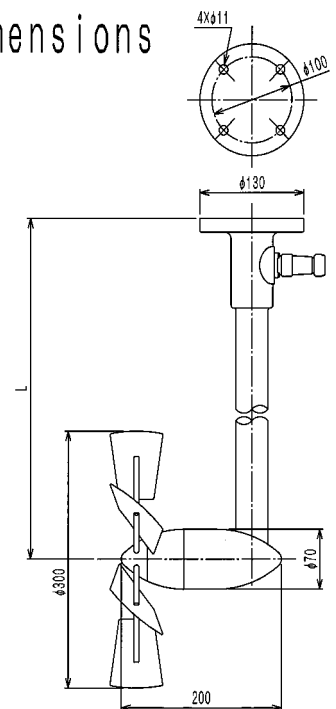
Size

Sensor: approx. 300 mm diam. × 260 × L

Weight

Sensor: approx. 3 kg (for reference only)

Sensor dimensions



KOMATSU FACTORY CO.,LTD.

WEATHER INSTRUMENTS FABRICATION

1-12-13 Higashiyama Meguro-ku Tokyo 153-0043 Japan

TEL : 03-3719-7131

FAX : 03-3719-7134

e-mail : info@komatsuins.co.jp